



**MATERIAL**

GN 728: pressure die-cast aluminium.

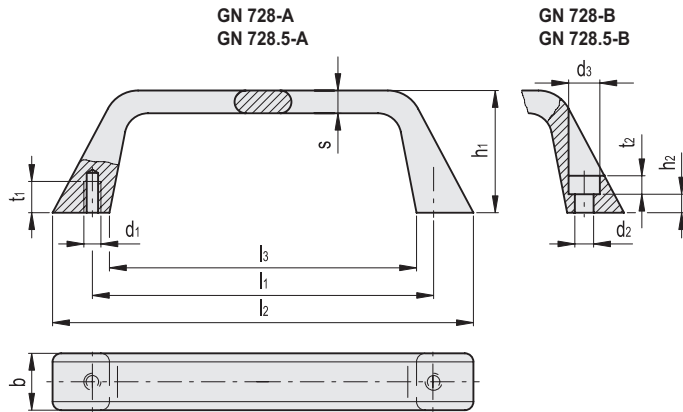
GN 728.5: stainless steel, sandblasted matte finish.

**STANDARD EXECUTIONS**

- **GN 728-A-BL**: natural aluminium. Threaded blind holes. Back mounting.
- **GN 728-A-SW**: epoxy resin coating, RAL 9005 black colour, matte finish. Threaded blind holes, back mounting.
- **GN 728-B-BL**: natural aluminium, pass-through holes for cylindrical-head screws with hexagon socket. Front mounting.
- **GN 728-B-SW**: epoxy resin coating, RAL 9005 black colour, matte finish. Pass-through holes for cylindrical-head screws with hexagon socket. Front mounting.
- **GN 728.5-A**: threaded blind holes, back mounting.
- **GN 728.5-B**: pass-through holes for cylindrical-head screws with hexagon socket, front mounting.

**FEATURES AND APPLICATIONS**

GN 728-A and GN 728.5-A (back mounting) handles can be assembled opposed to GN 728-B and GN 728.5-B (front mounting) handles having the same hole centre distance (Fig. 1).



Conversion Table 1 mm = 0.039 inch					
l2		d2		d3	
mm	inch	mm	inch	mm	inch
147	5.79	6.4	0.25	11	0.43
214	8.35	8.4	0.33	13.5	0.53

**GN 728-A**



Code	Description	l2	l1±0.25	d1	b	s	h1	l3	t1 min	⚖️
GN.26611	GN 728-120-A-BL	147	120	M6	22.5	8	42.5	108	10	90
GN.26616	GN 728-120-A-SW	147	120	M6	22.5	8	42.5	108	10	90
GN.26601	GN 728-180-A-BL	214	180	M8	27	10	47.5	165	12	185
GN.26602	GN 728-180-A-SW	214	180	M8	27	10	47.5	165	12	185

**GN 728-B**

Code	Description	l2	l1±0.25	d2	d3	b	s	h1	h2	l3	t2 min	⚖️
GN.26612	GN 728-120-B-BL	147	120	6.4	11	22.5	8	42.5	6.5	108	6.5	80
GN.26617	GN 728-120-B-SW	147	120	6.4	11	22.5	8	42.5	6.5	108	6.5	80
GN.26606	GN 728-180-B-BL	214	180	8.4	13.5	27	10	47.5	7.5	165	8.5	170
GN.26607	GN 728-180-B-SW	214	180	8.4	13.5	27	10	47.5	7.5	165	8.5	170

**GN 728.5-A**



Code	Description	l2	l1±0.25	d1	b	s	h1	l3	t1 min	⚖️
GN.26621	GN 728.5-120-A	147	120	M6	22.5	8	42.5	108	10	263

**GN 728.5-B**



Code	Description	l2	l1±0.25	d2	d3	b	s	h1	h2	l3	t2 min	⚖️
GN.26622	GN 728.5-120-B	147	120	6.4	11	22.5	8	42.5	6.5	108	6.5	234

